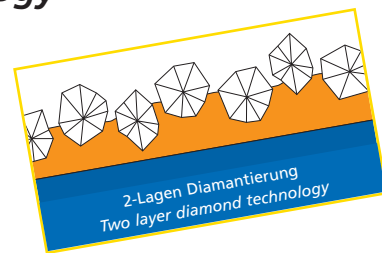


# WST Diamanten – Royal line in 2-Lagen Diamantierung

## CA diamonds – Royal line with two-layer diamond technology

ISO Nr.: 806 204 F 504 superfein / superfine  
 806 204 F 514 fein / fine  
 806 204 F 524 mittel / medium  
 806 204 F 534 grob / coarse  
 806 204 F 544 extragroß / extracoarse

Drehzahl / speed  
 30' - 150000 Upm / rpm



**801**

|        |     |     |     |     |     |     |     |     |     |
|--------|-----|-----|-----|-----|-----|-----|-----|-----|-----|
| F:     | 001 | 001 | 001 | 001 | 001 | 001 | 001 | 001 | 001 |
| d:     | 009 | 010 | 012 | 014 | 016 | 018 | 021 | 023 | 029 |
| KL/hl: | -   | -   | -   | -   | -   | -   | -   | -   | -   |
| P:     | 6   | 6   | 6   | 6   | 6   | 6   | 6   | 6   | 7   |

60001098W 60001108W 60001124W 60001148W 60001166W 60001168W 60001186W 60001188W 60001218W 60001234W 60001236W 60001238W 60001298W

**802**

|        |     |
|--------|-----|
| F:     | 002 |
| d:     | 018 |
| KL/hl: | 3,5 |
| P:     | 6   |

60002188W

**805**

|        |     |     |     |
|--------|-----|-----|-----|
| F:     | 010 | 010 | 010 |
| d:     | 012 | 014 | 016 |
| KL/hl: | 1,6 | 2,0 | 2,0 |
| P:     | 6   | 6   | 6   |

60010128W 60010148W 60010168W

**835**

|        |     |     |     |     |
|--------|-----|-----|-----|-----|
| F:     | 109 | 109 | 109 | 109 |
| d:     | 010 | 012 | 014 | 016 |
| KL/hl: | 4,0 | 4,0 | 4,0 | 4,0 |
| P:     | 6   | 6   | 6   | 6   |

60109108W 60109128W 60109148W 60109168W

**859**

|        |     |     |
|--------|-----|-----|
| F:     | 166 | 166 |
| d:     | 012 | 016 |
| KL/hl: | 10  | 10  |
| P:     | 6   | 6   |

60166128W 60166168W

Alle Royal Line WST Diamanten sind zu 6 Stück verpackt.  
 F = ISO-Figur-Nr. · KL = Kopflänge in mm  
 d = Durchmesser in 1/10 mm · P = Preiskategorie

All royal line CA diamonds are packed as 6 pieces.  
 F = ISO-Shape-No. · hl = head length in mm  
 d = diameter in 1/10 mm · P = price category

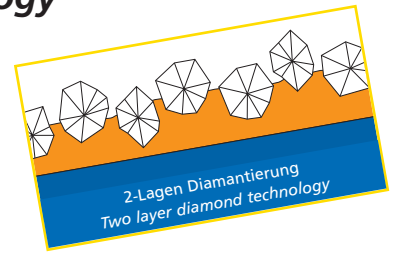
Sämtliche Zeichnungen sind im Maßstab 1:1 / all drawings in actual size





# WST Diamanten – Royal line in 2-Lagen Diamantierung




## CA diamonds – Royal line with two-layer diamond technology

ISO Nr.: 806 204 F 504 superfein / superfine  
 806 204 F 514 fein / fine  
 806 204 F 524 mittel / medium  
 806 204 F 534 grob / coarse  
 806 204 F 544 extragroß / extracoarse

Drehzahl / speed  
 30' - 150000 Upm / rpm








|   |   |   |   |            |     |
|---|---|---|---|------------|-----|
|  |  |  |  |            |     |
|   |   |   |   | F : 199    | 199 |
|   |   |   |   | d : 012    | 014 |
|   |   |   |   | KL/hl : 10 | 10  |
|   |   |   |   | P : 6      | 6   |






|   |   |   |           |
|---|---|---|-----------|
|  |  |  |           |
|   |   |   | F : 225   |
|   |   |   | d : 016   |
|   |   |   | KL/hl : 4 |
|   |   |   | P : 6     |

60199128W

60199148W

60225168W

|  |   |  |  |  |             |     |     |
|--|---|--|--|--|-------------|-----|-----|
|  |  |  |  |  |             |     |     |
|  |   |  |  |  | F : 249     | 249 | 249 |
|  |   |  |  |  | d : 012     | 014 | 016 |
|  |   |  |  |  | KL/hl : 8,0 | 8,0 | 8,0 |
|  |   |  |  |  | P : 6       | 6   | 6   |

|  |  |  |  |  |              |      |      |
|--|--|--|--|--|--------------|------|------|
|  |  |  |  |  |              |      |      |
|  |  |  |  |  | F : 250      | 250  | 250  |
|  |  |  |  |  | d : 012      | 016  | 018  |
|  |  |  |  |  | KL/hl : 10,0 | 10,0 | 10,0 |
|  |  |  |  |  | P : 6        | 6    | 6    |

60249126W

60249128W

60249148W

60249166W




60249168W




60250126W

60250128W

60250168W

60250188W

|   |   |   |             |
|---|---|---|-------------|
|  |  |  |             |
|   |   |   | F : 257     |
|   |   |   | d : 023     |
|   |   |   | KL/hl : 5,0 |
|   |   |   | P : 6       |

|   |   |   |             |
|---|---|---|-------------|
|  |  |  |             |
|   |   |   | F : 277     |
|   |   |   | d : 023     |
|   |   |   | KL/hl : 4,2 |
|   |   |   | P : 6       |

60257234W

60257236W

60257238W

60257235W

60277234W

60277236W

60277238W

Alle Royal Line WST Diamanten sind zu 6 Stück verpackt.  
 F = ISO-Figur-Nr. · KL = Kopflänge in mm  
 d = Durchmesser in 1/10 mm · P = Preiskategorie

All royal line CA diamonds are packed as 6 pieces.  
 F = ISO-Shape-No. · hl = head length in mm  
 d = diameter in 1/10 mm · P = price category